

Nivz Valves & Automation

POT STRAINER (Cast Basket Strainer)

DRG. No.: CSBS91

00

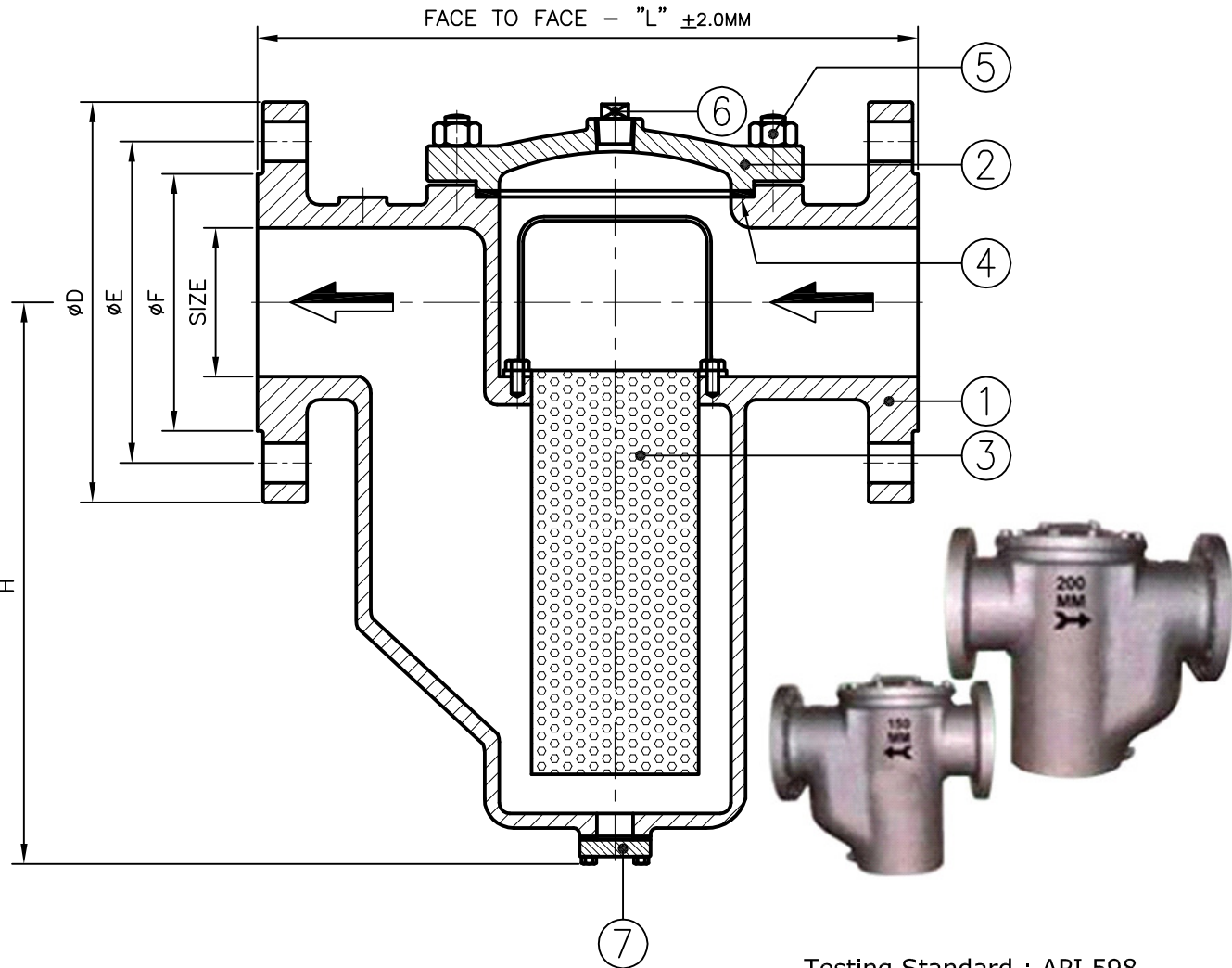
Rev. No.

FEATURES

- * Bolted Cover Design
- * Screen Available 2 Mesh To 200 Mesh

Pressure Rating : 150 #
 End Connection : Flanged End
 Flange Drilling : As Per ANSI B 16.5, Class 150
 Face To Face : As Per Mfg. Std.

NO.	PART NAME	MATERIAL
1	Body	CAST IRON – A 126 GR. B
2	Cover	ASTM A 216 GR. WCB/WCC/WC6
3	Basket (Element)	ASTM A 351 GR. CF8/CF8M/CF3/CF3M
4	Gasket	S.S. 304/316/304L/316L
5	Bolt & Nut	CAF/EPDM/SP. WOUND
6	Vent Plug	A 193 GR. B7/2H/S.S. 304/316
7	Drain Plug/Cover	C.S./S.S. 304/316/304L/316L



Design Standard : ASME B 16.34

Dimensions [150 Class]

SIZE	25	40	50	65	80	100	150	200	250	300
L	185	225	300	355	415	465	570	650	725	825
H	125	145	190	225	275	343	400	420	450	560
øD	108.0	127.0	152.4	177.8	190.5	228.6	279.0	343.0	406.0	483.0
øE	79.3	98.4	120.6	139.7	152.4	190.5	241.3	298.4	362.0	431.8
øF	50.8	73.0	92.1	104.7	127.0	157.2	215.9	269.9	323.8	381.0
T	14.2	17.4	19.1	22.2	23.8	23.8	25.4	28.5	30.2	31.8
N	4	4	4	4	8	8	8	8	12	12
øO	15.8	15.8	19	19	19	19	22.2	22.2	25.4	25.4

All Dimensions Are In mm

Testing Standard : API 598

Test Pressure in PSIG/BAR/KG./CM²

Test	Hydrostatic		
Pr. Rating	150#		
MOC	C.S./S.S.		
Body	295	20.6	21



VALVES & AUTOMATION
www.nivzvalves.com

Client _____
 Order / Enq. No. _____
 Job / Project _____
 Manufactured By : **Nivz Valves & Automation**, Ahmedabad, Gujarat, INDIA.

Do Not Copy Drawing

©COPYRIGHT

Due to continuous development programme, the design and data given in this leaflet are subject to change without prior notice

Appd. _____

Chkd. _____

Drwn. _____

For Record

For Reference

For Approval